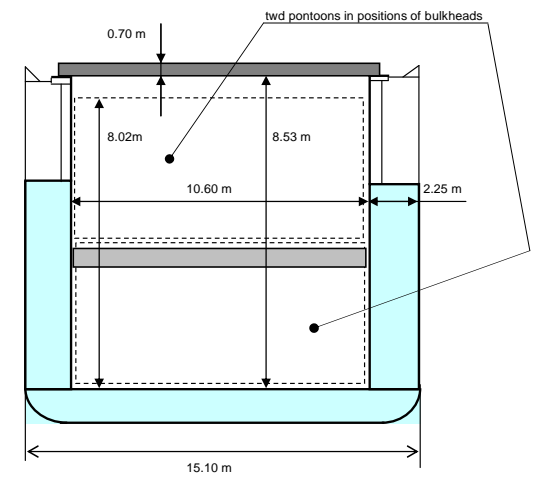
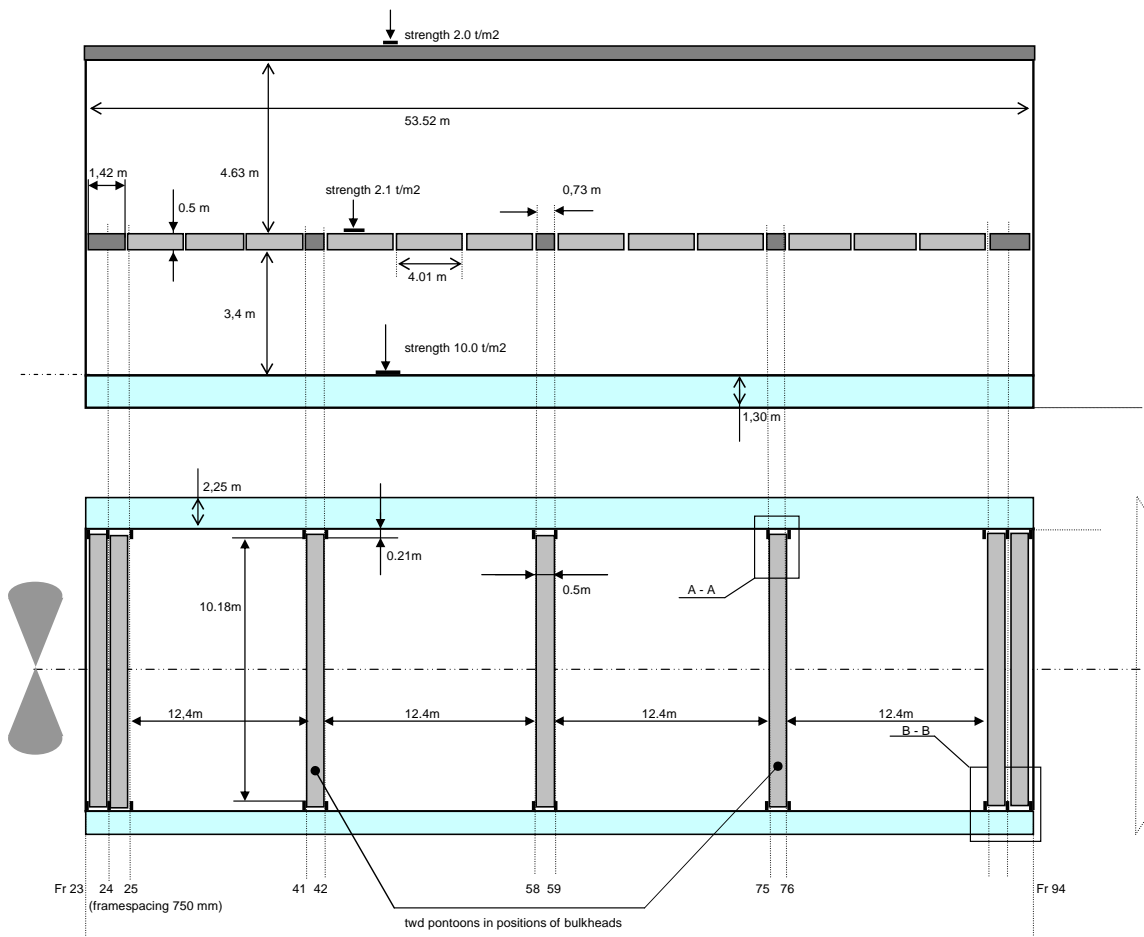


# mv ATIU



tweendeck - 12 pontoons (10.6 x 4.01 x 0.5 m Weight 9.2 ts)  
 plus 2 small pontoons - one in fore and one in aft (10.6 x 1.42 x 0.5; weight 5.4 mt)  
 plus 3 small intermediate pontoons (10.6 x 0.73 x 0.5; weight 3.0 mt)

